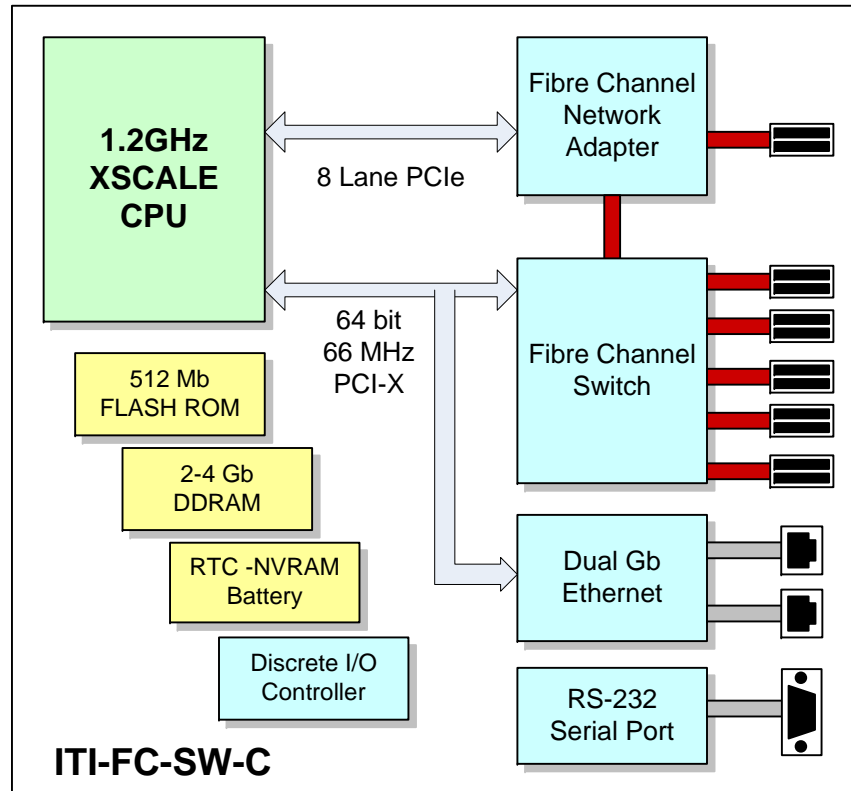


ITI-FC-SW-C

Fibre Channel Switch/Control SBC

Applications Include:

- FC Switch with Embedded Host
- FC to Gb Ethernet Bridge
- Fibre Channel Data Router



Features:

CPU

Intel XScale 81341, 1.2GHz

Memory

2-4GB DDR2 533 MHz DIMM 512 MB
Flash ROM

High-Speed Interfaces

(1) 4 GB SC Optical Network Adapter
(5) 4 GB SC Optical Switch Ports
(2) GB Ethernet

Peripherals

Battery Backed Real Time ClockConfigurable
Discrete I/O Controller
RS-232 Port

Software Support

Linux OS (Flash ROM)

Power

5 VDC @ 10A (50W Max)

Mechanical

Mini-ATX Form Factor

Environmental

Operating Temperature: -40 to +85° C
Humidity: 5-95% Non-Condensing
Storage: -40 to +85° C

The ITI-FC-SW-C is a compact, high performance Fibre Channel control node with an on-board FC host control interface, a 6-port FC switch, dual Gigabit Ethernet ports and a discrete I/O interface. The ITI-FC-SW-C offers design flexibility for embedded FC applications.



1969 S. Alafaya Trail, #356
Orlando, FL 32828-8732
Phone: (407) 247-3251
Fax: (321) 415-0285